

BIBS100 Datasheet

BUILT-IN BREATHING SYSTEM BACK PRESSURE REGULATOR



Gas
 Liquid
 Diaphragm
 Piston
 Self-Venting
 Non-Venting
 Max Rating: 50 bar (725 psi)
 Control Range: 30 bar (435 psi)
 Cv 2.0



INTRODUCING THE BIBS100...

The BIBS100 is a negative-biased, dome-loaded back pressure regulator for gas applications. It offers fine adjustment of the bias spring for enhanced process control.

Its **balanced main valve** as standard minimises load on the seat and provides stable pressure control. In addition, servicing is simplified with easy access to the seat cartridge from the base of the regulator.

SPECIFICATION

Max. Rating	50 bar (725 psi)
Control Range	Up to 30 bar (435 psi) Bias
Design Proof Pressure	150% max. working pressure
Bias Spring	Up to 3 bar (45 psi)
Seat Leakage	In accordance with ANSI/FCI 70-3
Weight	6.5kg (14.3lbs)

STANDARD MATERIALS OF CONSTRUCTION

PART	MATERIALS
Body and Bonnet	ASTM A479 316/316L Stainless Steel (UNS S31600/S31603) or Brass
Main Valve Pin	ASTM A479 316/316L Stainless Steel or Brass
Soft Seat	PCTFE (Kel-F)
Valve Spring	ASTM A240 301 Stainless Steel (UNS S30100)
Diaphragm	FKM/FPM (Viton)
O-Rings	FKM/FPM (Viton)
Spring	ASTM A479 316/316L Stainless Steel

Note: Pressure regulator rating may be limited by connection type, Cv and/or seat material. Contact the office for specific pressure or temperature requirements.

FEATURES AND BENEFITS

<p>1 LARGE SENSITIVE ELASTOMERIC DIAPHRAGM</p> <p>Provides accurate pressure regulation.</p>	<p>2 EASY ACCESS TO SEAT CARTRIDGE</p> <p>Simplified servicing through base of regulator.</p>	<p>3 FINE ADJUSTMENT OF BIAS SPRING</p> <p>Enhanced control of process and set-up.</p>	<p>4 CV 2.0</p> <p>Supports applications with a large flow.</p>
---	--	---	--

NOTE: Product availability and specifications contained herein are subject to change without notice. Consult local distributor or factory for potential revisions and/or service related issues. Pressure Tech Ltd support with product selection recommendations only - it is the users responsibility to ensure the product is suitable for their specific application requirements.



PRESSURE TECH LTD
 Unit 24, Graphite Way, Hadfield, Glossop, Derbyshire, UK, SK13 1QH
 T +44 (0)1457 899 307
 E sales@pressure-tech.com
 W www.pressure-tech.com

DESIGNED, MANUFACTURED AND BUILT IN THE UK

190923

PAGE:
1 OF 4

BIBS100 Datasheet

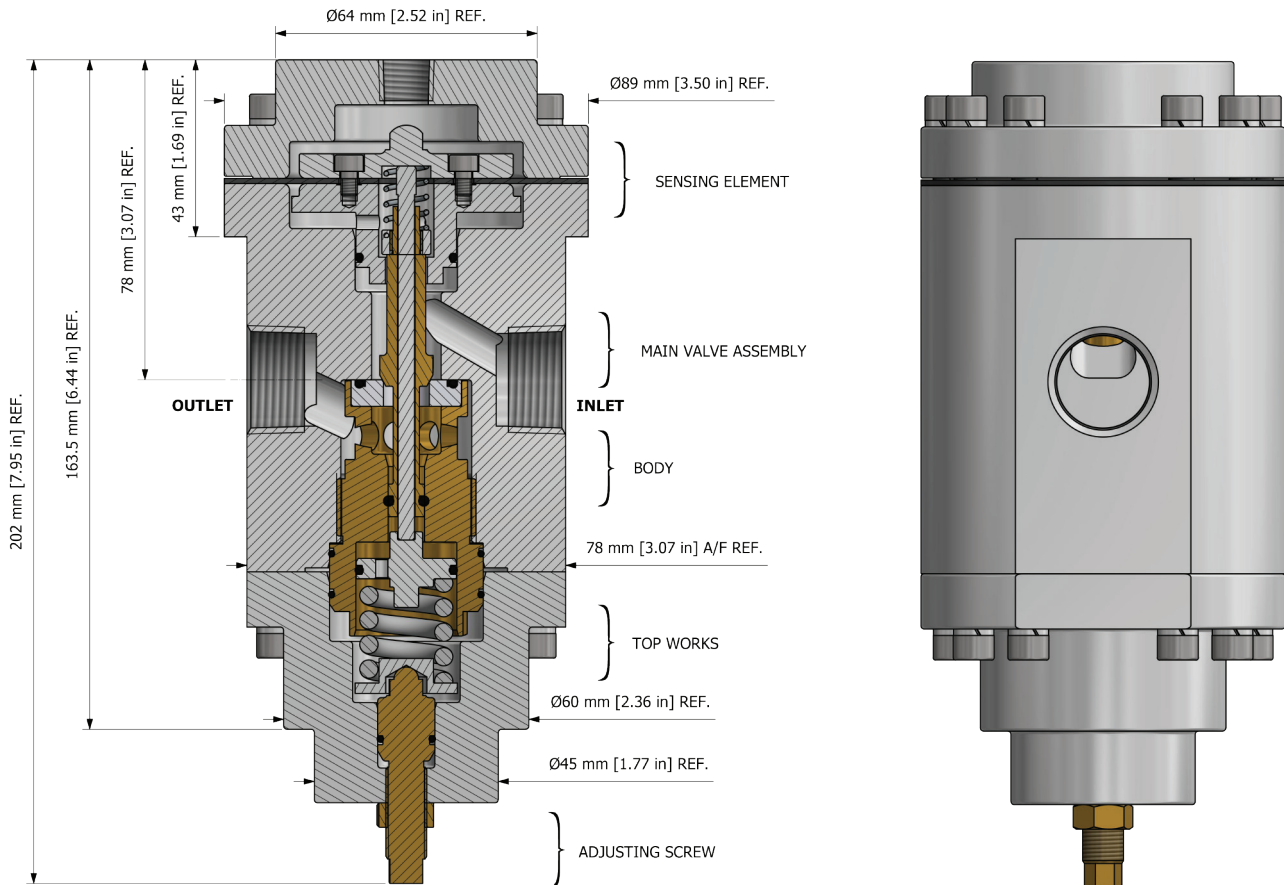
BUILT-IN BREATHING SYSTEM BACK PRESSURE REGULATOR



Gas
 Liquid
 Diaphragm
 Piston
 Self-Venting
 Non-Venting
 Max Rating: 50 bar (725 psi)
 Control Range: 30 bar (435 psi)
 Cv 2.0

DRAWINGS AND INSTALLATION DIMENSIONS

Dimensions shown for 3/4" NPT option and standard configurations only - please contact the office for other options.



Note:
All gauge ports are 1/4" NPT as standard.

NOTE: Product availability and specifications contained herein are subject to change without notice. Consult local distributor or factory for potential revisions and/or service related issues. Pressure Tech Ltd support with product selection recommendations only - it is the users responsibility to ensure the product is suitable for their specific application requirements.



PRESSURE TECH LTD
 Unit 24, Graphite Way, Hadfield, Glossop, Derbyshire, UK, SK13 1QH
 T +44 (0)1457 899 307
 E sales@pressure-tech.com
 W www.pressure-tech.com

DESIGNED, MANUFACTURED AND BUILT IN THE UK

190923

PAGE:
2 OF 4

BIBS100 Datasheet

BUILT-IN BREATHING SYSTEM BACK PRESSURE REGULATOR

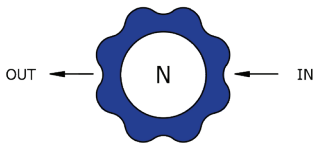


Gas Liquid | Diaphragm Piston | Self-Venting Non-Venting | Max Rating: 50 bar (725 psi) | Control Range: 30 bar (435 psi) | Cv 2.0

FLOW CURVE

Please contact the office for further information.

PORTING CONFIGURATIONS



NOTE: Product availability and specifications contained herein are subject to change without notice. Consult local distributor or factory for potential revisions and/or service related issues.
Pressure Tech Ltd support with product selection recommendations only - it is the users responsibility to ensure the product is suitable for their specific application requirements.



PRESSURE TECH LTD
Unit 24, Graphite Way, Hadfield, Glossop, Derbyshire, UK, SK13 1QH
T +44 (0)1457 899 307
E sales@pressure-tech.com
W www.pressure-tech.com

DESIGNED, MANUFACTURED AND BUILT IN THE UK

190923

PAGE:
3 OF 4

BIBS100 Datasheet

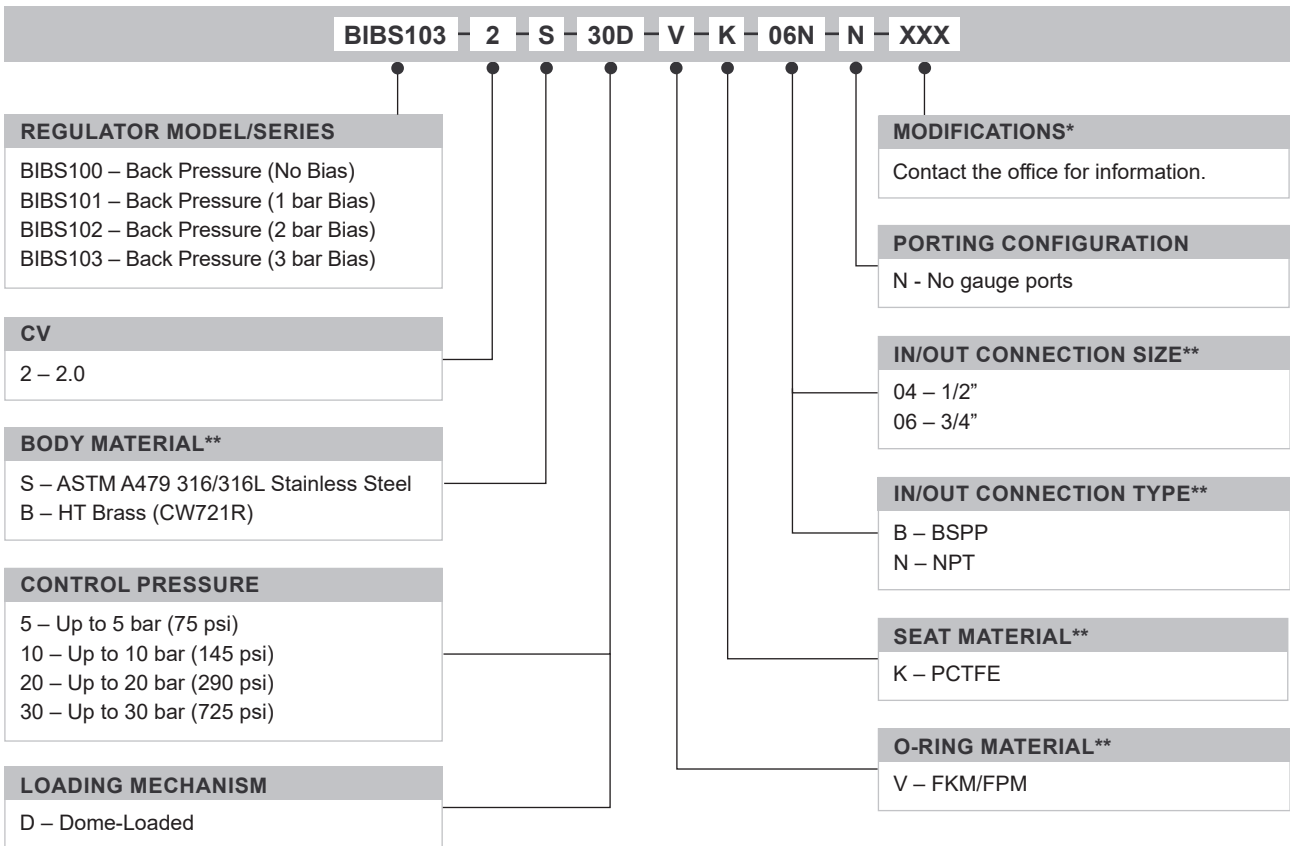
BUILT-IN BREATHING SYSTEM BACK PRESSURE REGULATOR



Gas
 Liquid
 Diaphragm
 Piston
 Self-Venting
 Non-Venting
 Max Rating: 50 bar (725 psi)
 Control Range: 30 bar (435 psi)
 Cv 2.0

ORDERING INFORMATION

To build a Pressure Tech part number, simply combine the characters identified below in sequence:



OPTIONAL EXTRAS		
	PART NUMBER	DESCRIPTION
Service Kit	SRK-BIBS100...	Various options available
Panel Mounting Ring	PT-C-024	-

Note: Ancillary Equipment and additional Service Kit options also available.

* Where applicable
** Other materials may be available - please contact the office

NOTE: Product availability and specifications contained herein are subject to change without notice. Consult local distributor or factory for potential revisions and/or service related issues. Pressure Tech Ltd support with product selection recommendations only - it is the users responsibility to ensure the product is suitable for their specific application requirements.



PRESSURE TECH LTD
 Unit 24, Graphite Way, Hadfield, Glossop, Derbyshire, UK, SK13 1QH
 T +44 (0)1457 899 307
 E sales@pressure-tech.com
 W www.pressure-tech.com

DESIGNED, MANUFACTURED AND BUILT IN THE UK

190923

PAGE:
4 OF 4